

Guangzhou Liangyi Lighting Equipments Co.,Ltd.
37 Gongyedadao, Xinhua, Huadu, Guangzhou PC:510800
Tel: (020)666 090 88-8002 Fax: (020) 868 670 11

www.eklights.com



K5beam

USER MANUAL

CONTENTS

SAFETY	01
DIMENSION	02
DESCRIPTION	02
INTRODUCTION	03
INSTALLATION	04
DMX CONNECTION	04
POWER CONNECTION	05
TECHNICAL SPECIFICATION	06
COLOR	07
PHOTOMETRICS	07
MENU	08
MENU DESCRIPTION	09
DMX CHANNEL	11
MASTER/SLAVE OPERATION	14
UFI OPERATION	15
TROUBLE SHOOTING	16

TROUBLE SHOOTING

Problem	Possible Causes	Checklist and Remedies
Fixture does not light up	<ul style="list-style-type: none"> No mains supply Dimmer fader set to 0 All color faders set to 0 Faulty LED Faulty LED board 	<ul style="list-style-type: none"> Check the power supply voltage Increase the value of the dimmer channels Increase the value of the color channels Replace the LED board Replace the LED board
General low light intensity	<ul style="list-style-type: none"> Dirty lens assembly Misaligned lens assembly 	<ul style="list-style-type: none"> Clean the fixture regularly Install lens assembly properly
Fixture does not power up	<ul style="list-style-type: none"> No power Loose or damaged power cord Faulty internal power supply 	<ul style="list-style-type: none"> Check for power on power outlet Check power cord Replace internal power supply
Fixture does not respond to DMX	<ul style="list-style-type: none"> Wrong DMX addressing Damaged DMX cables Bouncing signals 	<ul style="list-style-type: none"> Check control panel and unit addressing Check DMX cables Install terminator as suggested



WARNING

Before carrying out any operations with the unit, carefully read this instruction manual and keep it with care for future reference. It contains important information about the installation, usage and maintenance of the unit.

SAFETY

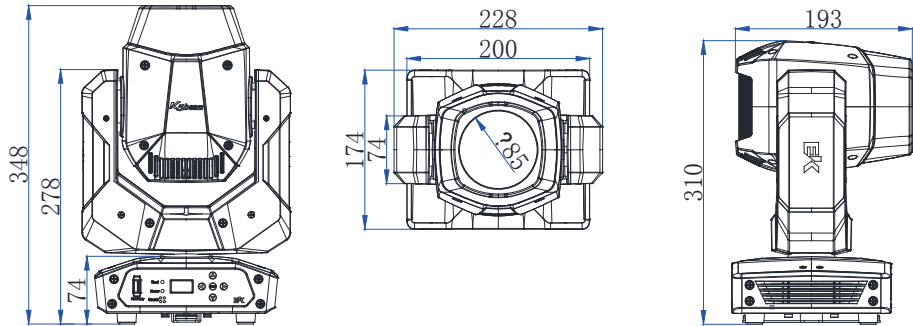
General instruction

- The products referred to in this manual conform to the European Community Directives and are therefore marked with.
- The unit is supplied with hazardous network voltage (230V~). Leave servicing to skilled personnel only.
- Never make any modifications on the unit not described in this instruction manual, otherwise you will risk an electric shock.
- Connection must be made to a power supply system fitted with efficient earthing (Class I appliance according to standard EN 60598-1). It is, moreover, recommended to protect the supply lines of the units from indirect contact and/or shorting to earth by using appropriately sized residual current devices.
- The connection to the main network of electric distribution must be carried out by a qualified electrical installer. Check that the main frequency and voltage correspond to those for which the unit is designed as given on the electrical data label.
- This unit is not for home use, only professional applications.
- Never use the fixture under the following conditions:
 - in places wet;
 - in places subject to vibrations or bumps;
 - in places with an ambient temperature of over 45°
- Make certain that no inflammable liquids, water or metal objects enter the fixture.
- All work must always be carried out by qualified technical personnel. Contact the nearest sales point for an inspection or contact the manufacturer directly.
- If the unit is to be put out of operation definitively, take it to a local recycling plant for a disposal

Warnings and installation precautions

- If this device will be operated in any way different to the one described in this manual, it may suffer damage and the guarantee becomes void. Furthermore, any other operation may lead to dangers like short circuit, burns, electric shock, etc.
- Before starting any maintenance work or cleaning the projector, cut off power from the main supply.
- Always additionally secure the projector with the safety rope. When carrying out any work, always comply scrupulously with all the regulations (particularly regarding safety) currently in force in the country in which the fixture's being used.
- For inside use only. Not designed for outside use.
- The minimum distance between the fixture and surrounding walls must be more than 50cm and the air vents at the housing must not be covered in any case.
- Install the fixture in a well ventilated place.
- Keep any inflammable material at a safe distance from the fixture.
- The maximum temperature that can be reached on the external surface of the fitting, in a thermally steady state, is high. After power off, please cool down over 15 minutes.
- Shields, lenses or ultraviolet screens shall be changed if they have become damaged to such an extent that their effectiveness is impaired.
- The lamp(LED) shall be changed if it has become damaged or thermally deformed.
- Never look directly at the light beam. Please note that fast changes in lighting, e.g. flashing light, may trigger epileptic seizures in photosensitive persons or persons with epilepsy.

DIMENSION



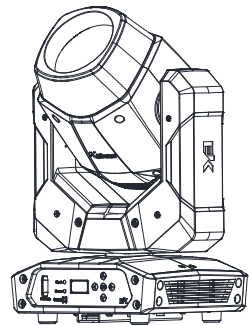
INTRODUCTION

Brightest LED moving beam in its class

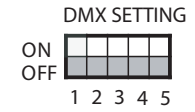
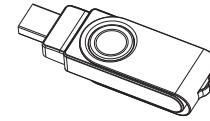
Tight, solid, consistent beams

Extensive rotating gobo pattern selection

Featuring color wheel, rotating gobos, prism



UFI OPERATION



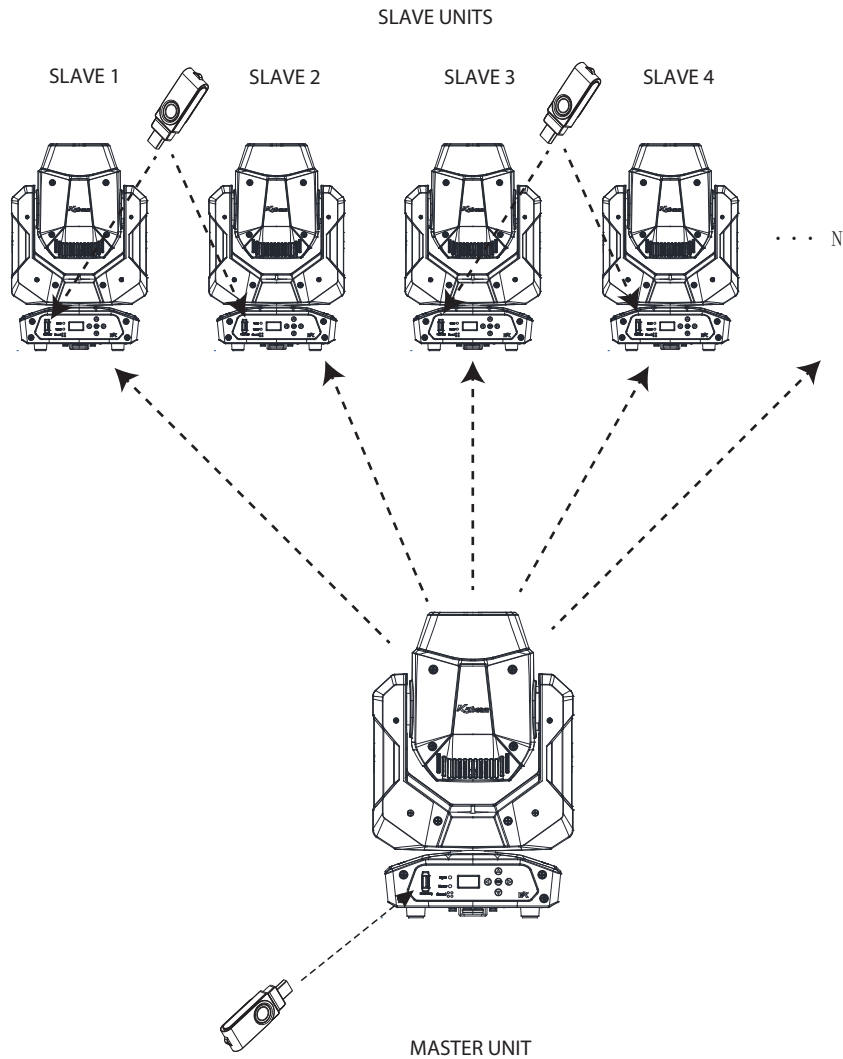
TRANSISTING

ON	OFF		Channel 1
			Channel 2
			Channel 3
			Channel 4
			Channel 5
			Channel 6
			Channel 7
			Channel 8
			Channel 9
			Channel 10
			Channel 11
			Channel 12
			Channel 13
			Channel 14
			Channel 15
			Channel 16

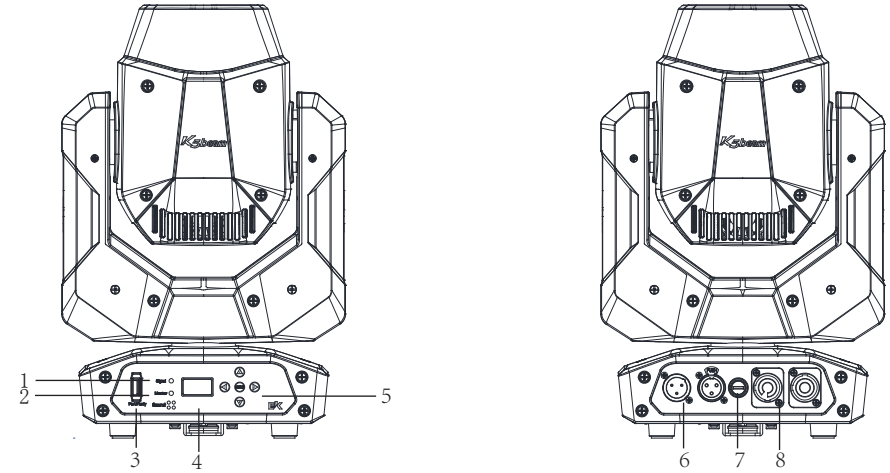
RECEIVING

ON	OFF		Channel 1
			Channel 2
			Channel 3
			Channel 4
			Channel 5
			Channel 6
			Channel 7
			Channel 8
			Channel 9
			Channel 10
			Channel 11
			Channel 12
			Channel 13
			Channel 14
			Channel 15
			Channel 16

MASTER/SLAVE OPERATION



INTRODUCTION

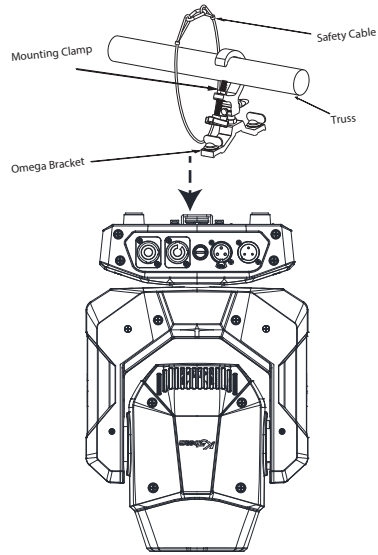


- 1. Power Indicator
- 2. DMX Indicator
- 3. UFI: UFI- Wireless Function
- 4. Display: OLED Display
- 5. Buttons: Mode、UP、Down、Enter
- 6. DMX 3 pin In/Out
- 7. Fuse: T1A 250V
- 8. POWER CON IN/OUT

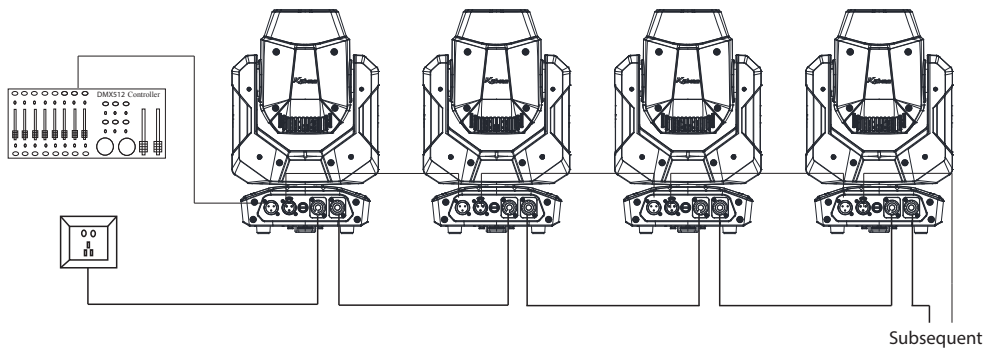
Display Function Navigation

Mode	Illustration	Function Description	Effect
Menu	Menu Options	Enter the Menu	Menu Operation
Up	Up	Scroll Up	Increase the numeric value
Down	Down	Scroll Down	Decrease the numeric value
Enter	Confirm	Confirm	Save the function
OK	Confirm	Confirm	Save the function

INSTALLATION



DMX CONNECTION



DMX CHANNELS

8. Color	000-004	Open	
	005-008	Open+Color1	
	009-012	Color 1	
	013-016	Color 1 + Color 2	
	017-021	Color 2	
	022-025	Color 2 + Color 3	
	026-029	Color 3	
	030-033	Color 3 + Color 4	
	034-038	Color 4	
	039-042	Color 4 + Color 5	
	043-046	Color 5	
	047-050	Color 5 + Color 6	
	051-055	Color 6	
	056-059	Color 6 + Color 7	
	060-063	Color 7	
	064-067	Color 7 + Color 8	
	068-071	Color 8	
	072-076	Color 8 + Color 9	
	077-080	Color 9	
	081-084	Color 9 + Color 10	
085-088	Color 10		
089-093	Color 10 + Color 11		
094-097	Color 11		
098-101	Color 11 + Color 12		
102-105	Color 12		
106-110	Color 12 + Color 13		
111-114	Color 13		
115-118	Color 13 + Color 14		
119-122	Color 14		
123-127	Color 14 + Open		
128-189	Stop to fast(Forward Spin)		
190-193	Stop Rotation		
194-255	Fast to stop (Reverse Spin)		
9. Prism Rot	000-005	Open	
	006-191	Insertion and Positioning from 0-360 degrees	
	192-223	Stop to fastest (Forward Spin)	
	224-255	Fastest to stop (Reverse Spin)	
10. Control	000-039	No function	
	040-049	Enable blackout while Pan/Tilt move (Hold 3 Second)	
	050-059	Disable blackout while Pan/Tilt move (Hold 3 Second)	
	060-069	Enable blackout while color change (Hold 3 Second)	
	070-079	Disable blackout while color change (Hold 3 Second)	
	080-089	Pan Reset (Hold 3 Second)	
	090-099	Tilt Reset (Hold 3 Second)	
	100-109	Color Reset (Hold 3 Second)	
	110-119	Prism Reset (Hold 3 Second)	
	120-199	No function	
	200-209	Reset all (Hold 3 Second)	
210-255	No function		

DMX CHANNELS

7.Prism Rot.	000-005	Open	
	006-191	Insertion and Positioning from 0-360 degrees	
	192-223	Stop to fastest (Forward Spin)	
	224-255	Fastest to stop (Reverse Spin)	
8.Control	000-039	No function	
	040-049	Enable blackout while Pan/Tilt move (Hold 3 Second)	
	050-059	Disable blackout while Pan/Tilt move (Hold 3 Second)	
	060-069	Enable blackout while color change (Hold 3 Second)	
	070-079	Disable blackout while color change (Hold 3 Second)	
	080-089	Pan Reset (Hold 3 Second)	
	090-099	Tilt Reset (Hold 3 Second)	
	100-109	Color Reset (Hold 3 Second)	
	110-119	Prism Reset (Hold 3 Second)	
	120-199	No function	
	200-209	Reset all (Hold 3 Second)	
	210-255	No function	

10CH			
Function	Value	Percent/Setting	Remark
1. Pan	000-255		
2. Pan fine	000-255		
3. Tilt	000-255		
4. Tilt fine	000-255		
5. Movement	000-255	Fastest to slowest	
6. Shutter	000-010	Shutter closed	
	011-030	No function (shutter open)	
	031-085	Strobe effect slow to fast	
	086-105	No function (shutter open)	
	106-160	Pulse-effect in sequences	
	161-180	No function (shutter open)	
	181-235	Random strobe effect slow to fast	
	236-255	No function (shutter open)	
7.Dimmer	000-255	0~100%	

POWER CONNECTION



Power In

Using POWER CON In/Out
Power cable connected in series
Attention: due to the power rating
one 1.5mm² power cable can connect 71 units maximum



Power out

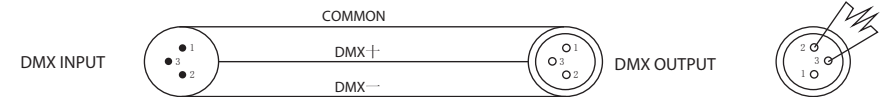


WARNING

Do not connect more than 71 units in series with one power cable.
Do not use damaged power cables.
Turn off the power when the units are not in use.

DMX CONNECTION

DMX512 Controller



Relation between DMX and Address

MODE	ALLOCATION	STARTING ADDRESS 1ST FIXTURE	STARTING ADDRESS 2ND FIXTURE	STARTING ADDRESS 3RD FIXTURE	STARTING ADDRESS 4TH FIXTURE
8CH	001-008	001	009	017	025
10CH	001-010	001	011	021	031

Follow above method for subsequent fixtures, calculating starting address as indicated.

TECHNICAL SPECIFICATION

PHOTOMETRICS

Light Source: 14W 6200K LED
 Beam Angle: 2.5°
 Output: 19080 LUX @ 5 meters

POWER

Mains: 100 - 240 VAC, 50/60 Hz
 Consumption: 38W
 Power connections: PowerCon In/Out
 Power linking: Up to 71 units @ 230V

KEY FEATURES

Pan movement: 540°
 Tilt movement: 270°
 Color Wheel: 14 + Open
 Strobe: 1 - 30Hz
 Dimming: 4 dimming curve modes
 Prism: 8-facet, bi-directional
 variable-speed rotation

CONTROL

Protocol: DMX512 ,UFI
 DMX channels: 8 / 10
 Data connections: 3-pin XLR In/Out
 Display: OLED display with 4-button navigation

PHYSICAL

Size: 228*174*348mm
 Weight: 5.23kg
 IP: 20

DMX CHANNELS

8CH			
Function	Value	Percent/Setting	Remark
1. Pan	000-255		
2. Tilt	000-255		
3. Movement	000-255	Fastest to slowest	
4. Shutter	000-010	Shutter closed	
	011-030	No function (shutter open)	
	031-085	Strobe effect slow to fast	
	086-105	No function (shutter open)	
	106-160	Pulse-effect in sequences	
	161-180	No function (shutter open)	
	181-235	Random strobe effect slow to fast	
5. Dimmer	236-255	No function (shutter open)	
	000-255	0~100%	
6. Color	000-004	Open	
	005-008	Open+Color1	
	009-012	Color 1	
	013-016	Color 1 + Color 2	
	017-021	Color 2	
	022-025	Color 2 + Color 3	
	026-029	Color 3	
	030-033	Color 3 + Color 4	
	034-038	Color 4	
	039-042	Color 4 + Color 5	
	043-046	Color 5	
	047-050	Color 5 + Color 6	
	051-055	Color 6	
	056-059	Color 6 + Color 7	
	060-063	Color 7	
	064-067	Color 7 + Color 8	
	068-071	Color 8	
	072-076	Color 8 + Color 9	
	077-080	Color 9	
	081-084	Color 9 + Color 10	
	085-088	Color 10	
	089-093	Color 10 + Color 11	
	094-097	Color 11	
	098-101	Color 11 + Color 12	
	102-105	Color 12	
	106-110	Color 12 + Color 13	
111-114	Color 13		
115-118	Color 13 + Color 14		
119-122	Color 14		
123-127	Color 14 + Open		
128-189	Stop to fast(Forward Spin)		
190-193	Stop Rotation		
194-255	Fast to stop (Reverse Spin)		

MENU DESCRIPTION

2.SETUP

- (1) Movement
 - 1. Pan Inverse and Tilt Inverse setting
 - 2. Pan Feedback and Tilt Feedback setting
- (2) Screen
 - 1.Back Light : set delay time for menu display to go dark at either 10,20 or 30 seconds or choose always ON.
 - 2.Flip Display
 - 3.Warning Cue
 - 4.Key Lock: password: UP DOWN UP DOWN ENTER
- (3) Fixture
 - 1.Fan Mode: fan speed setting
 - 2.Temperature
- (4). AUTO TSET
- (5). Manual Test

3. ADVANCED

- (1).Reset
 - 1.All:reset all the steps
 - 2.reset seperate step
- (2).Adjust
- (3).Factory Reload
 - Restore factory settings

4.INFORMATION

- (1).Fixture Time(0-9999)
- (2).Temperature
- (3).Fan speed
- (4).Software Version
- (5).UID

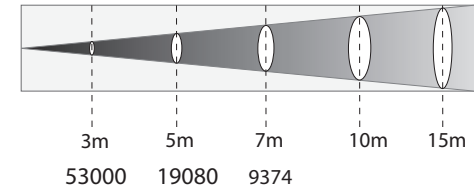
5.STAND ALONE

- (1).Master/slave
- (2).play: built-in programs (show1-4)
- (3)MIC Sens:0-100

PHOTOMETRICS

Beam Angle: 2.56°

FULL on



Project Distance(m)

Luminance(lux)

Distance(m)	3	5	7	10	15
Full on	53000	19080	9374		

COLOR

Red	Bule	Yellow	Green	Light Orange	Magenta	Cyan
CTO	Dark Green	CTB	Pink	Light Green	Orange	UV



MENU

NO.	Main Menu	Menu level 2	Menu level 3	Menu level 4	Remark
1	CONNECT	DMXAddress	1-512		Default:001
		DMXMode	8CH		Default: 10CH
			10CH		
2	SETUP	Movement	Pan Reverse	No	Default: No
				Yes	
			Tilt Reverse	No	Default: No
				Yes	
			Pan Feedback	No	Default: Yes
				Yes	
			Tilt Feedback	No	Default: Yes
				Yes	
		Screen	Back Light	On	Default: On
				10S	
				20S	
				30S	
		Flip Display	No	Default: No	
			Yes		
		Warn Cue	Off	Default: On	
			On		
		Key Lock	No	Default: No	
			Yes		
		Auto Test	Auto Test...		
		Manual Test	Pan	000-255	Default: Tilt: 128 Dimmer: 255 Strobe: 255
Pan Fine	000-255				
Tilt	000-255				
Tilt Fine	000-255				
Pan/Tilt Speed	000-255				
Dimmer	000-255				
Shutter	000-255				
Color	000-255				
Prism	000-255				

MENU

3	ADVANCED	Reset	All		
			Pan		
			Tilt		
			Color		
		Adjust	Prism		
			Pan Offset	000-255	
			Tilt Offset	000-255	
			Color Offset	000-255	
Factory Reload	Prism Offset	000-255			
	No		Default: No		
Yes					
4	INFORMATION	Fixture Time	0-9999		Default: 0
		Temperature	58° C		
		Fans speed	**%		
		Software Version	DISP V1.0 CTR-XY V1.0 CTR-LED V1.0		
		UID	030F0210***		
5	STANDALONE	Maser/Slave	Maser	Default: Slave	
			Slave		
		Sequence	Show 1	Default: Show 1	
			Show 2		
			Show 3		
			Show 4		
Mic Sens	000-100	Default: 85			

MENU DESCRIPTION

1.CONNECT

- (1) DMX Address: Set DMX starting address from a value between 1-502
DMX Mode: Selectable DMX mode 8/10 channels